

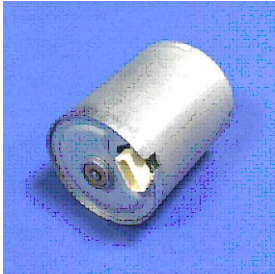
BL370无刷

OUTPUT: APPROX 0.5~5W

Precious metal/Carbon-brush motors

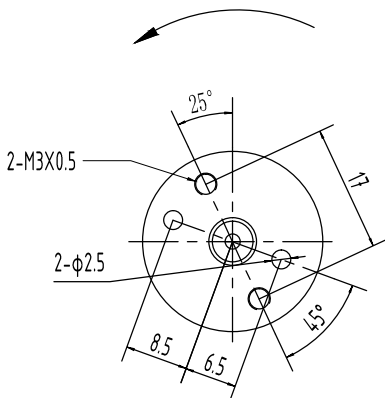
代表的用途: 喷香机、点钞机
消防设备、泵

Aerosol dispenser Counting machine
Fire fighting equipment

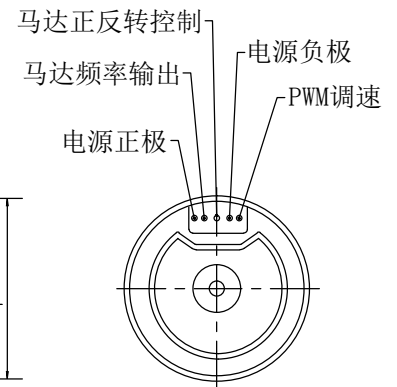
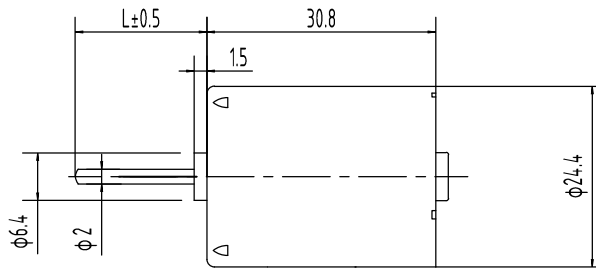


MODEL	VOLTAGE		NO LOAD		AT MAXIMUM EFFICIENCY				STALL	
	OPERATING RANGE	NOMINAL	SPEED	CURRENT	SPEED	CURRENT	TORQUE	OUTPUT	TORQUE	CURRENT
			r/min	A	r/min	A	mN.m	W	g.cm	A
BL370-1377	22-26V	24V	6846	0.134	4676	0.289	6.068	1.99	195	0.622

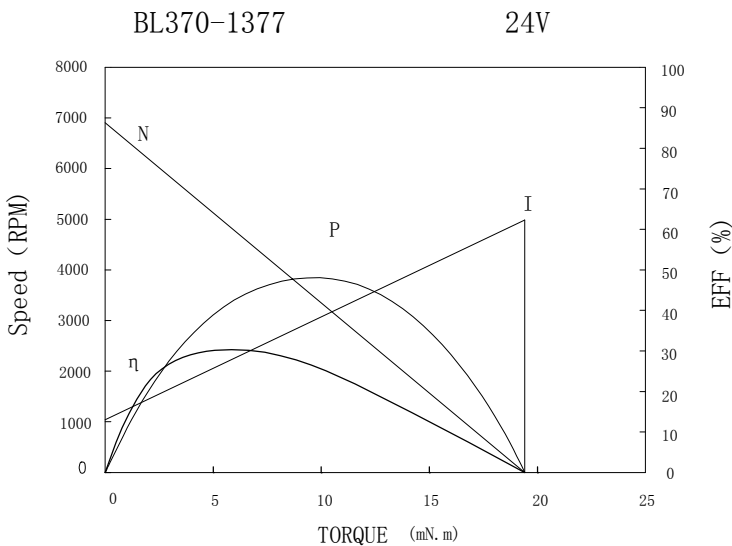
旋转方向
Direction Of Rotation



UNIT: MILLIMETERS



WEIGHT: 25g (APPROX)



At No Load	Speed: 6846 RPM
	Current: 0.134 AMPS
At stall (Extrapolated)	Torque: 19.15 mN.m
	Current: 0.622 AMPS
At maximum efficiency	Efficiency: 28.7 %
	Torque: 6.068 mN.m
	Speed: 4676 RPM
	Current: 0.289 AMPS
	Output: 1.99 Watts
At maximum Power output	Output: 2.300 Watts
	Torque: 9.574 mN.m
	Speed: 5301 RPM
	Current: 0.24 AMPS
Characteristics	
	Torque constant K_t : 39.200 mN.m/APM
	E. M. F. constant E_c : 39.200 mV/rad/sec
	Dynamic resistance: 38.5578 Ohms
	Motor regulation M_r : 357.55 RPM/mN.m