



RK-2238SD

OUTPUT: APPROX 0.5~5W

Precious metal/Carbon-brush motors

代表的用途: 喷香机、点钞机
消防设备、泵

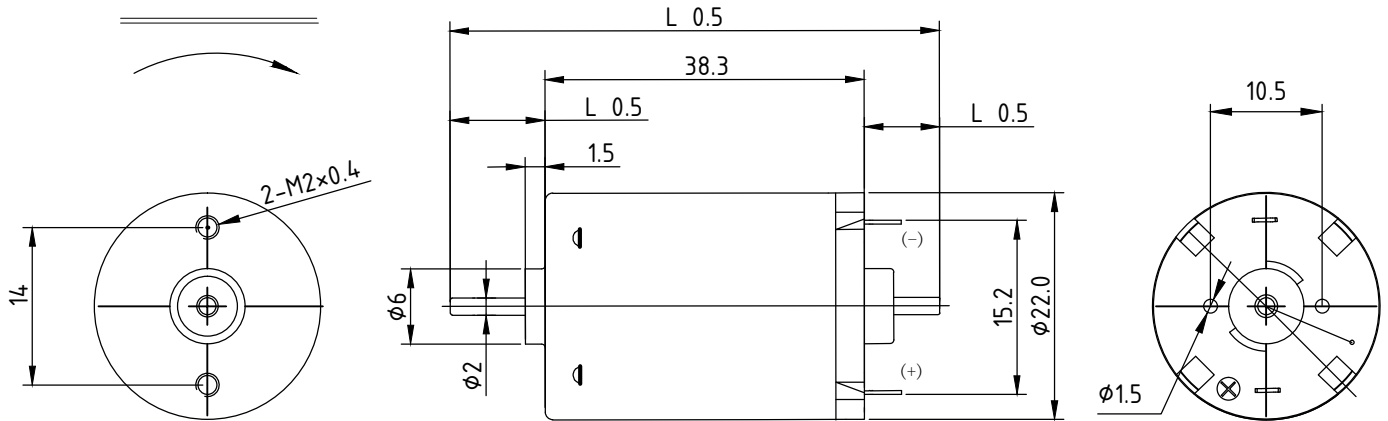
Aerosol dispenser Counting machine
Fire fighting equipment



MODEL	VOLTAGE		NO LOAD		AT MAXIMUM EFFICIENCY				STALL	
	OPERATING RANGE	NOMINAL	SPEED r/min	CURRENT A	SPEED r/min	CURRENT A	TORQUE mN.m	OUTPUT W	TORQUE g.cm	CURRENT A
RK-2238SDT-2590	6-10V	8V	7171	0.11	6217	0.717	6.260	4.11	480	4.67

旋转方向
Direction Of Rotation

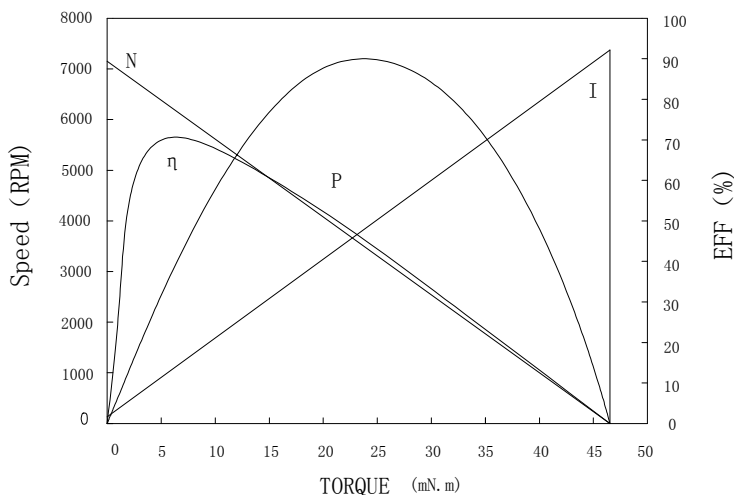
UNIT: MILLIMETERS



WEIGHT: 55g (APPROX)

RK-2238SHT-2590

8V



At No Load

Speed: 7171 RPM
Current: 0.11 AMPS

At stall (Extrapolated)

Torque: 47.06 mN.m
Current: 4.672 AMPS

At maximum efficiency

Efficiency: 71.7 %
Torque: 6.260 mN.m
Speed: 6217 RPM
Current: 0.717 AMPS
Output: 4.11 Watts

At maximum Power output

Output: 8.909 Watts
Torque: 23.530 mN.m
Speed: 3578 RPM
Current: 2.28 AMPS

Characteristics

Torque constant K_t : 10.316 mN.m/APM
E. M. F. constant E_c : 10.316 mV/rad/sec
Dynamic resistance: 1.7124 Ohms
Motor regulation M_r : 152.38 RPM/mN.m