



RK/F-250SH

OUTPUT: APPROX 0.5~5W

Precious metal/Carbon-brush motors

代表的用途: 喷香机、点钞机
消防设备、泵

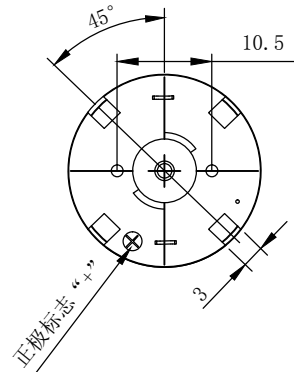
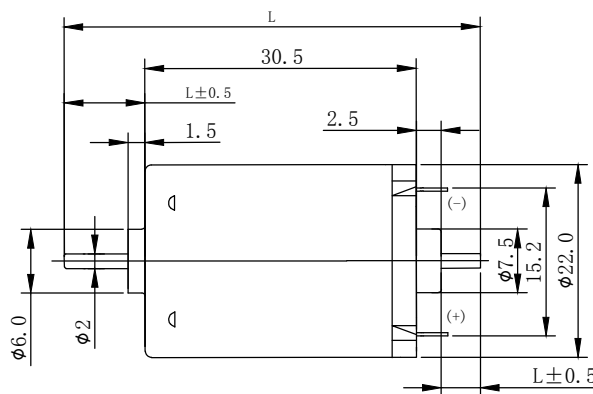
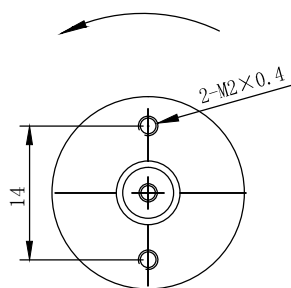
Aerosol dispenser Counting machine
Fire fighting equipment



MODEL	VOLTAGE		NO LOAD		AT MAXIMUM EFFICIENCY				STALL	
	OPERATING RANGE	NOMINAL	SPEED	CURRENT	SPEED	CURRENT	TORQUE	OUTPUT	TORQUE	CURRENT
			r/min	A	r/min	A	mN.m	W	g.cm	A
RK-250SH-17230	7-11V	9V	6043	0.053	5041	0.266	3.20	1.54	198	1.34
RK-250SD-24112	2-6V	3.7V	3924	0.092	3266	0.457	3.34	1.08	203	2.26
RK-250SH-19160	10-14V	12V	11358	0.075	9708	0.441	3.72	3.65	261	2.60

UNIT: MILLIMETERS

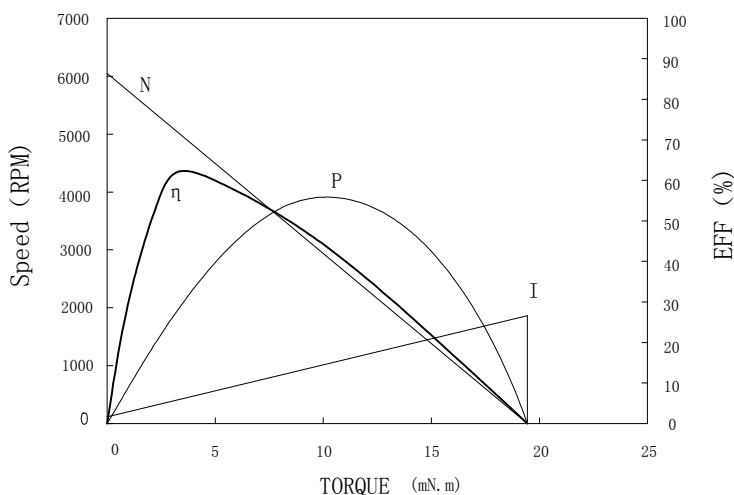
旋转方向
Direction Of Rotation



WEIGHT: 38g (APPROX)

RK-250SH-17230

9V



At No Load

Speed: 6043 RPM
Current: 0.053 AMPS

At stall (Extrapolated)

Torque: 19.40 mN.m
Current: 1.340 AMPS

At maximum efficiency

Efficiency: 64.2 %
Torque: 3.219 mN.m
Speed: 5041 RPM
Current: 0.266 AMPS
Output: 1.54 Watts

At maximum Power output

Output: 2.781 Watts
Torque: 9.702 mN.m
Speed: 3270 RPM
Current: 0.64 AMPS

Characteristics

Torque constant K_t : 15.077 mN.m/APM
E. M. F. constant E_c : 15.077 mV/rad/sec
Dynamic resistance: 6.7164 Ohms
Motor regulation M_r : 311.43 RPM/mN.m