

RS-775SM

OUTPUT: APPROX 10~80W

Precious metal-brush motors

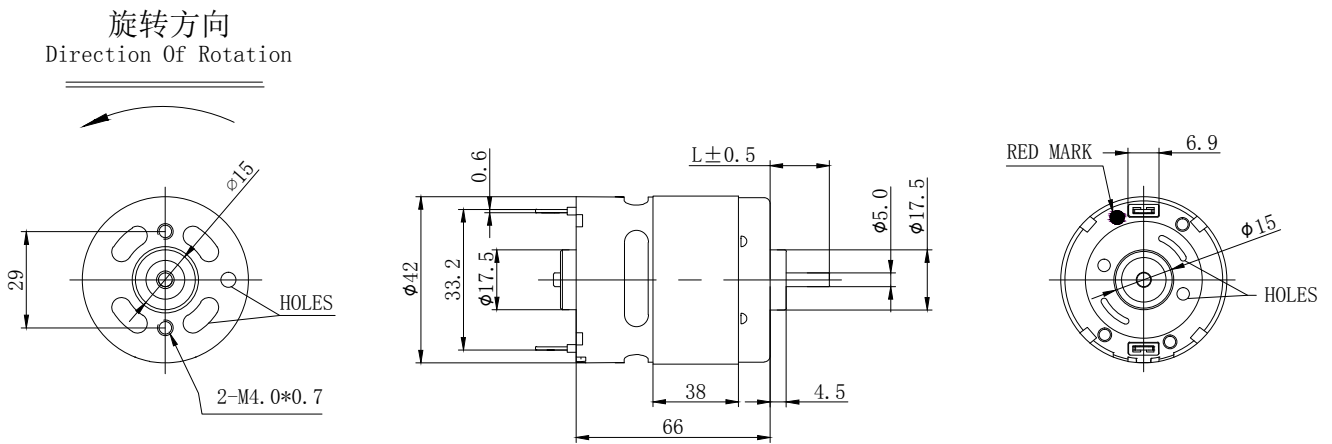
代表的用途: 家用电器
自行车电装机器

Typical Applications/Household Appliances
Automotive Products



MODEL	VOLTAGE		NO LOAD		AT MAXIMUM EFFICIENCY				STALL	
	OPERATING RANGE	NOMINAL	SPEED	CURRENT	SPEED	CURRENT	TORQUE	OUTPUT	TORQUE	CURRENT
			r/min	A	r/min	A	g. cm	W	g. cm	A
RS-775SM-5034	12-36V	12V	5660	0.63	4850	3.8	578	29	4025	21.3
RS-775SM-7513	6-15V	12V	18700	2.2	16000	13.6	710	117	5100	84.0

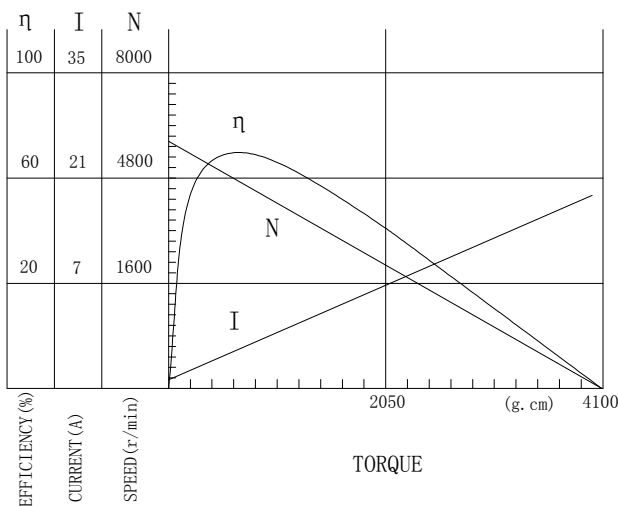
UNIT: MILLIMETERS



WEIGHT: 350g (APPROX)

RS-775SM-5034

12.0V



RS-775SM-7513

12.0V

