



BL320无刷

OUTPUT: APPROX 0.5~5W

Precious metal/Carbon-brush motors

代表的用途: 喷香机、点钞机
消防设备、泵

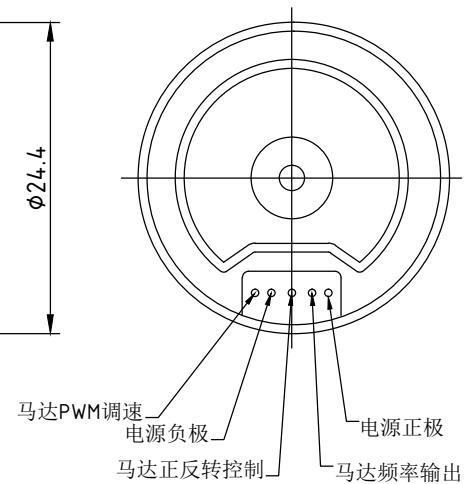
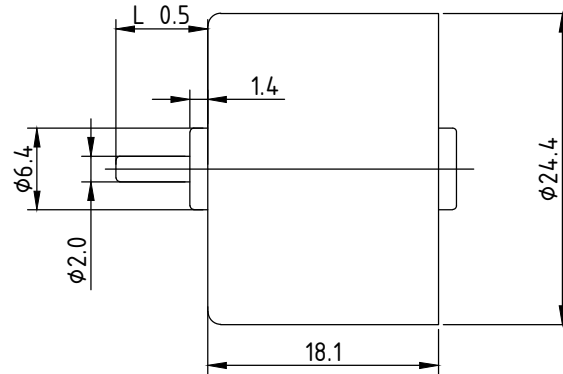
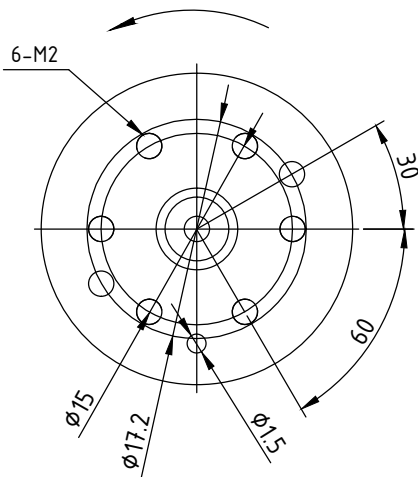
Aerosol dispenser Counting machine
Fire fighting equipment



MODEL	VOLTAGE		NO LOAD		AT MAXIMUM EFFICIENCY				STALL	
	OPERATING RANGE	NOMINAL	SPEED	CURRENT	SPEED	CURRENT	TORQUE	OUTPUT	TORQUE	CURRENT
			r/min	A	r/min	A	mN.m	W	g.cm	A
BL320-2822	7-11V	9V	15179	0.244	12248	1.019	3.30	5.31	173	4.26

旋转方向
Direction Of Rotation

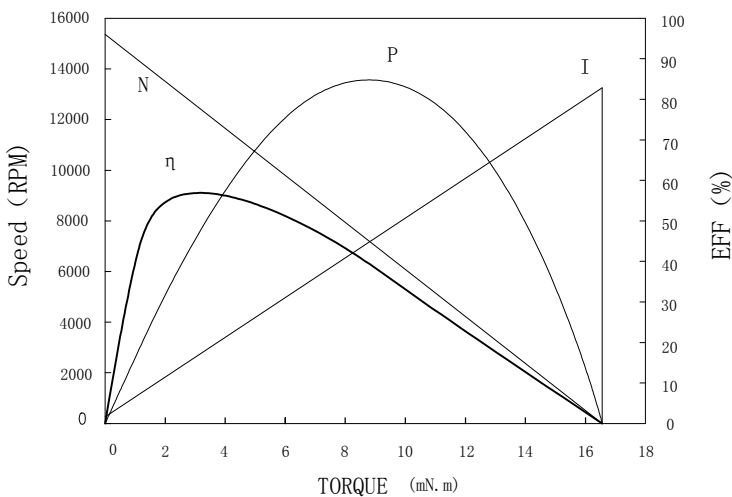
UNIT: MILLIMETERS



WEIGHT: 25g (APPROX)

BL320-2822

9V



At No Load

Speed: 15179 RPM
Current: 0.244 AMPS

At stall (Extrapolated)

Torque: 16.96 mN.m
Current: 4.259 AMPS

At maximum efficiency

Efficiency: 57.9 %
Torque: 3.276 mN.m
Speed: 12248 RPM
Current: 1.019 AMPS
Output: 5.31 Watts

At maximum Power output

Output: 8.517 Watts
Torque: 8.481 mN.m
Speed: 8512 RPM
Current: 2.01 AMPS

Characteristics

Torque constant K_t : 4.224 mN.m/APM
E. M. F. constant E_c : 4.224 mV/rad/sec
Dynamic resistance: 2.1130 Ohms
Motor regulation M_r : 894.89 RPM/mN.m